

更に上のクオリティ
更に上のサービス!

問題集

ITEXAMPASS

<https://www.itexampass.jp>



1年で無料進級することに提供する

Exam : **400-101**

Title : CCIE Routing and Switching
Written Exam

Version : DEMO

1.External EIGRP route exchange on routers R1 and R2 was failing because the routers had duplicate router IDs. You changed the eigrp router-id command on R1, but the problem persists. Which additional action must you take to enable the routers to exchange routes?

- A. Reset the EIGRP neighbor relationship.
- B. Change the corresponding loopback address.
- C. Clear the EIGRP process.
- D. Change the router ID on R2.

Answer: C

2.Which three fields are part of a TCN BPDU? (Choose three)

- A. message age
- B. max-age
- C. version
- D. protocol ID
- E. flags
- F. Type

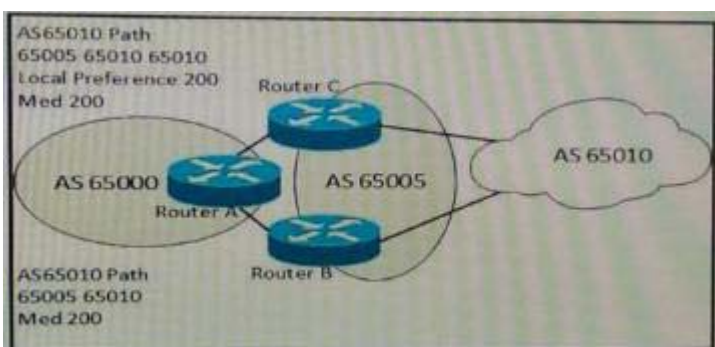
Answer: DCF

3.What is the source MAC address of a BPDU frame that is sent out of a port?

- A. the lowest MAC address on the switch
- B. the highest MAC address on the switch
- C. the MAC address of the individual port that is sending the BPDU
- D. the same as the MAC address in the bridge ID

Answer: C

4.Refer to the exhibit.



Router A is connected as a BGP neighbor to routers b and C.

Which path does router A use to get to AS 65010?

- A. Through router B because it has the shortest AS Path
- B. Through router C because it has higher local preference
- C. Through router B because the default local preference is 500 and higher than router C
- D. Will load balance both because routers have a same Med value

Answer: A

5.Drag each IPv4 host address on the left to the matching network address on the right.

10.120.75.10/14	10.112.0.0
10.121.55.10/18	10.120.0.0
10.121.100.50/12	10.121.0.0
10.121.221.30/17	10.121.128.0
10.125.20.101/18	10.125.0.0
10.125.80.150/18	10.125.64.0

Answer:

10.120.75.10/14	2	10.112.0.0
10.121.55.10/18	3	10.120.0.0
10.121.100.50/12	1	10.121.0.0
10.121.221.30/17	4	10.121.128.0
10.125.20.101/18	5	10.125.0.0
10.125.80.150/18	6D	10.125.64.0